

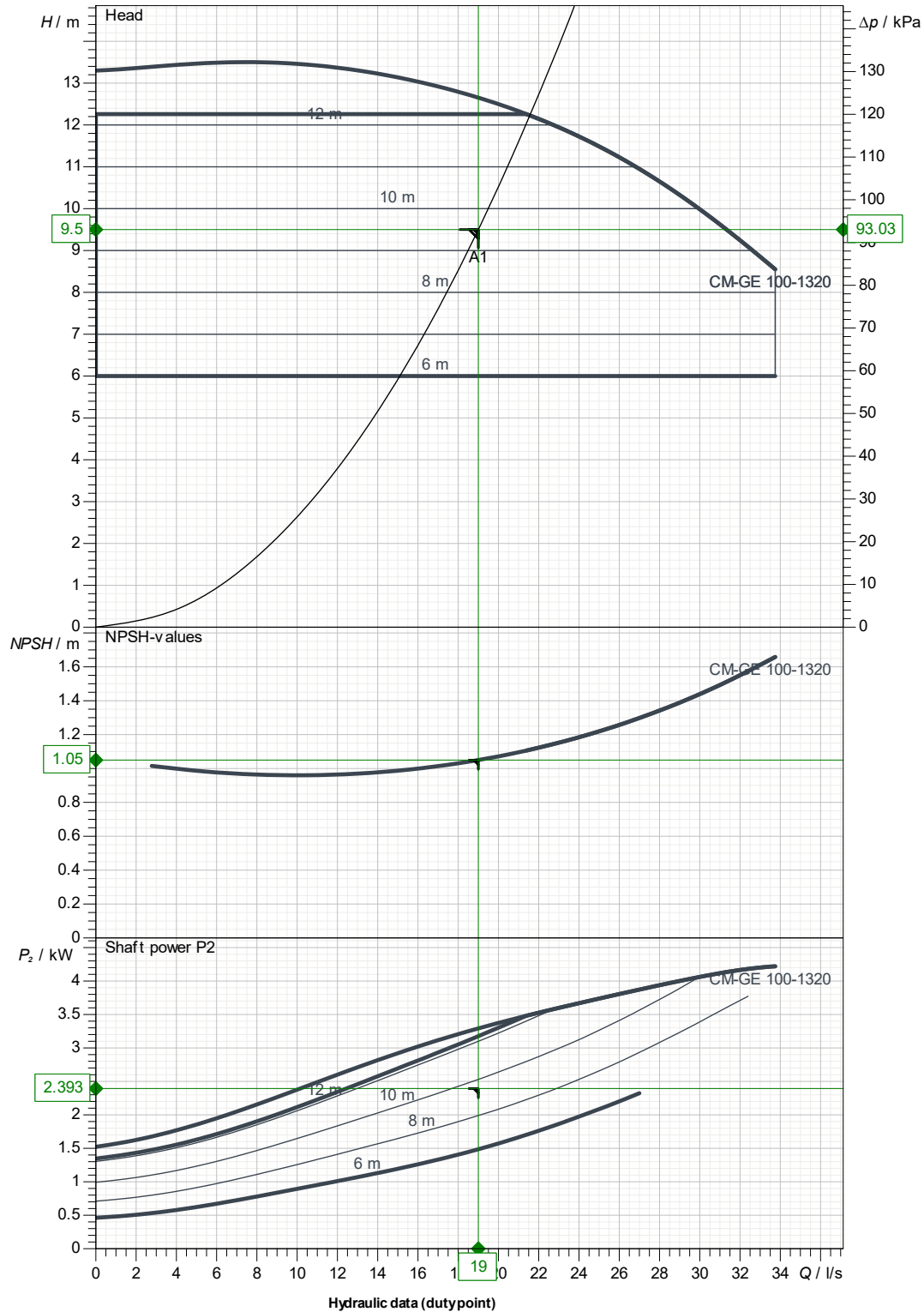
Receiver

From

Company
Reference
Address
Phone
Fax
E-mail

CM-GE 100-1320/A/BAQE/4 T MCE55/C IE3

Curve tolerance according to ISO 9906



Suction side :
DN 100
PN 16

Discharge side :
DN 100
PN 16

Flow :
19 l/s

Head :
9.5 m

Rated speed :
1452 1/min

MAIN_PROJECT_TITLE

BUSINESS_PROCESS_ID

OWNER_

ISSUE_DATE

2025-02-13



DIMENSIONAL DRAWING

2025-02-13

Page 3 / 3

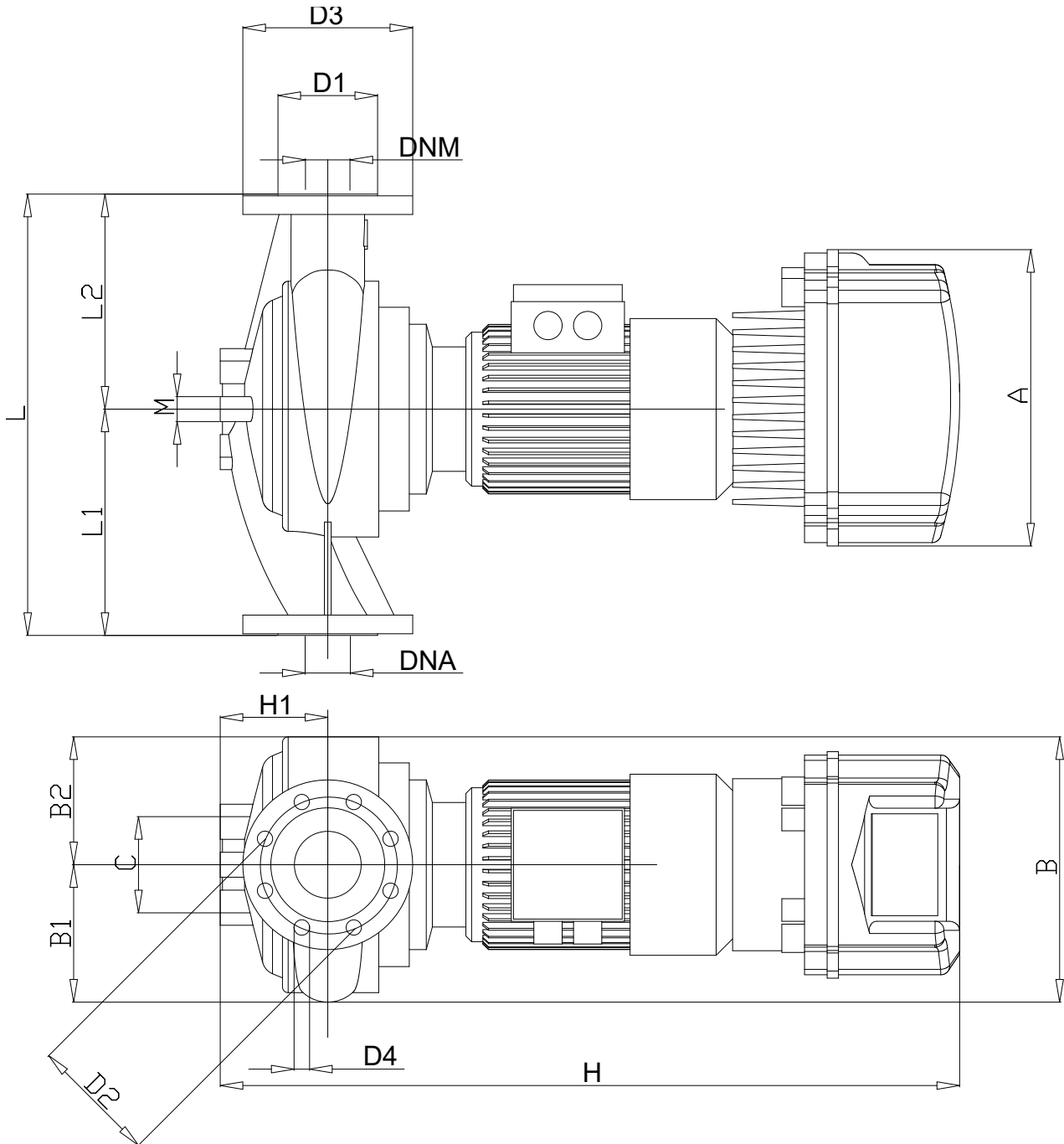
DAB PUMPS S.p.A.
Via Marco Polo, 14 - 35035 Mestrino (PD), Italy
Tel. +39 049 5125000 - Fax +39 049 5125950
www.dabpumps.com

Receiver

From

Company
Reference
Address
Phone
Fax
E-mail

CM-GE 100-1320/A/BAQE/4 T MCE55/C IE3



Dimensions in mm					Pump connection	
1	A	353	H	881	Suction DN 100 PN 16 Discharge DN 100 PN 16	
2	B	378	H1	140		
3	B1	204	L	550		
4	B2	174	L1	275		
5	C	230	L2	275		
6	D1	158	M	16		
7	D2	180				
8	D3	220				
9	D4	8 x Ø18				
10	DNA	100				
11	DNM	100				

MAIN_PROJECT_TITLE	BUSINESS_PROCESS_ID	OWNER_	ISSUE_DATE 2025-02-13
--------------------	---------------------	--------	---------------------------------