



PERFORMANCE CURVES

2025-02-13

Page 2 / 3

DAB PUMPS S.p.A.
Via Marco Polo, 14 - 35035 Mestrino (PD), Italy
Tel. +39 049 5125000 - Fax +39 049 5125950
www.dabpumps.com

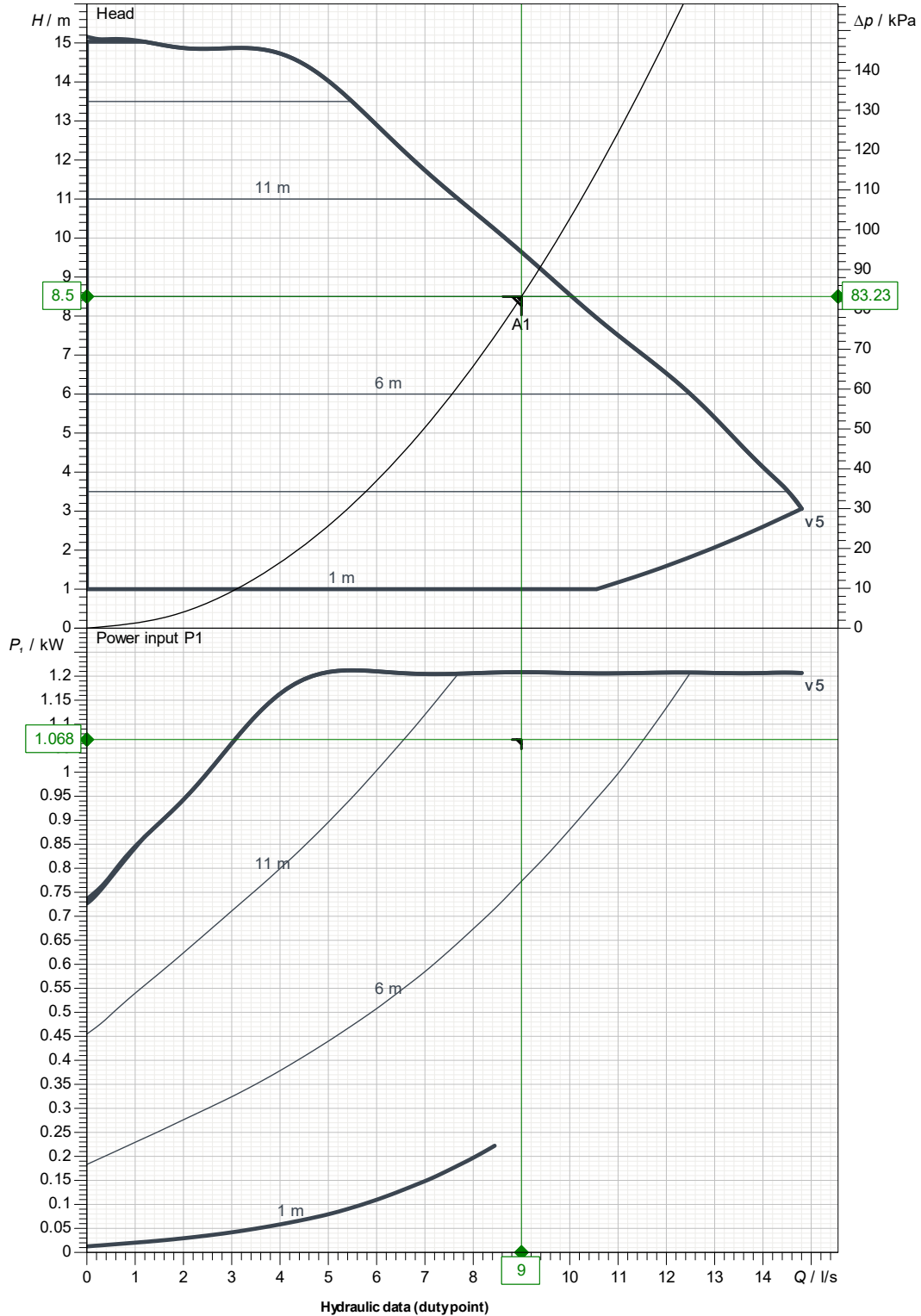
Receiver

From

Company
Reference
Address
Phone
Fax
E-mail

EVOPLUS B 150/340.65 M

Curve tolerance according to ISO 9906



Suction side :
DN 65
PN6, PN10, PN16

Discharge side :
DN 65
PN6, PN10, PN16

Flow :
9 l/s

Head :
8.5 m

Rated speed :
4400 1/min

MAIN_PROJECT_TITLE

BUSINESS_PROCESS_ID

OWNER_

ISSUE_DATE

2025-02-13



DIMENSIONAL DRAWING

2025-02-13

Page 3 / 3

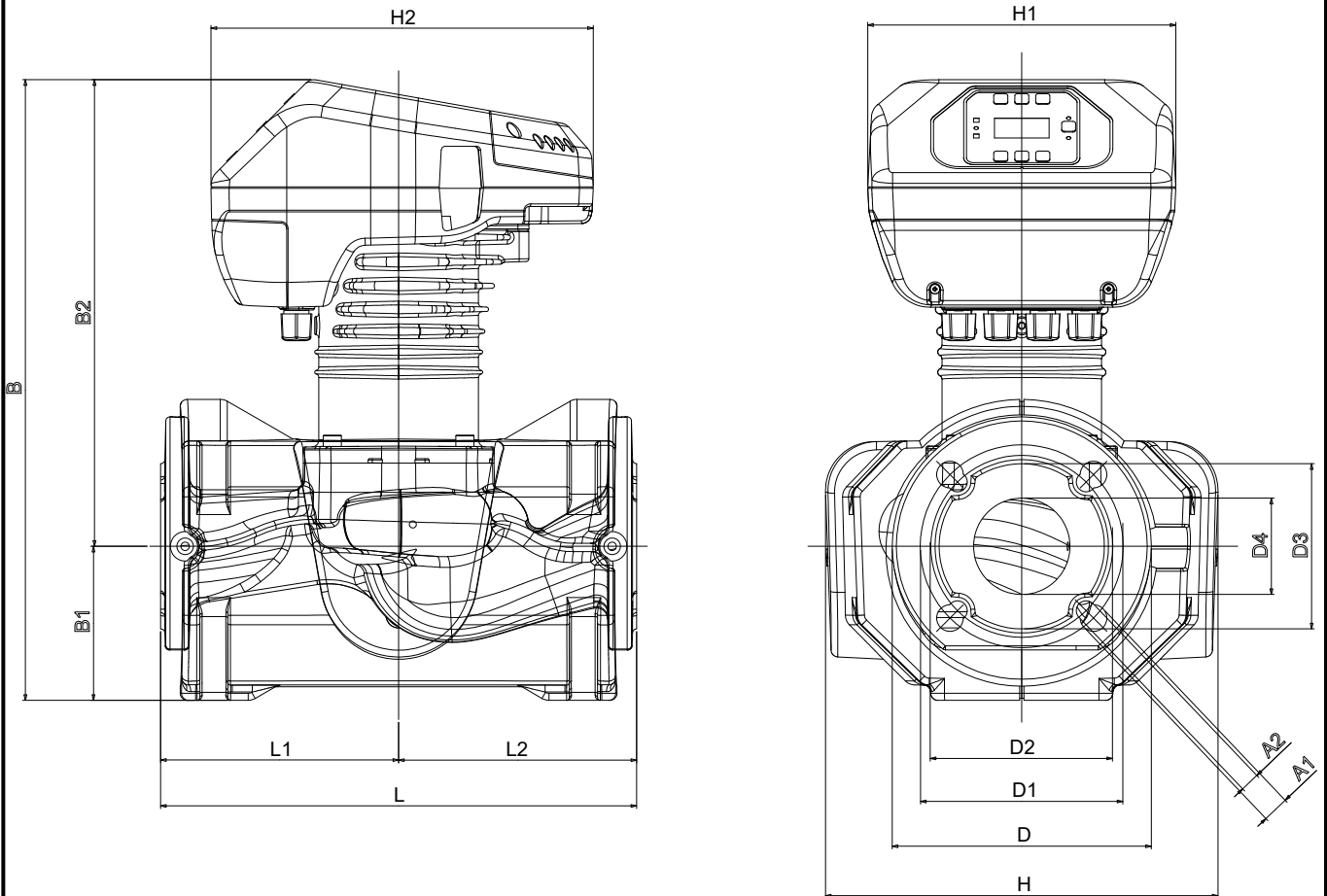
DAB PUMPS S.p.A.
Via Marco Polo, 14 - 35035 Mestrino (PD), Italy
Tel. +39 049 5125000 - Fax +39 049 5125950
www.dabpumps.com

Receiver

From

Company
Reference
Address
Phone
Fax
E-mail

EVOPLUS B 150/340.65 M



Dimensions in mm

Pump connection

1	A1	19	H1	220		
2	A2	14	H2	273		
3	B	443	L	340		
4	B1	110	L1	170		
5	B2	333	L2	170		
6	D	185				
7	D1	145				
8	D2	130				
9	D3	118				
10	D4	69				
11	H	280				

Suction
DN 65
PN6, PN10, PN16

Discharge
DN 65
PN6, PN10, PN16

MAIN_PROJECT_TITLE

BUSINESS_PROCESS_ID

OWNER_

ISSUE_DATE

2025-02-13