





# PERFORMANCE CURVES

2025-02-13

Page 2 / 3

DAB PUMPS S.p.A.  
Via Marco Polo, 14 - 35035 Mestrino (PD), Italy  
Tel. +39 049 5125000 - Fax +39 049 5125950  
www.dabpumps.com

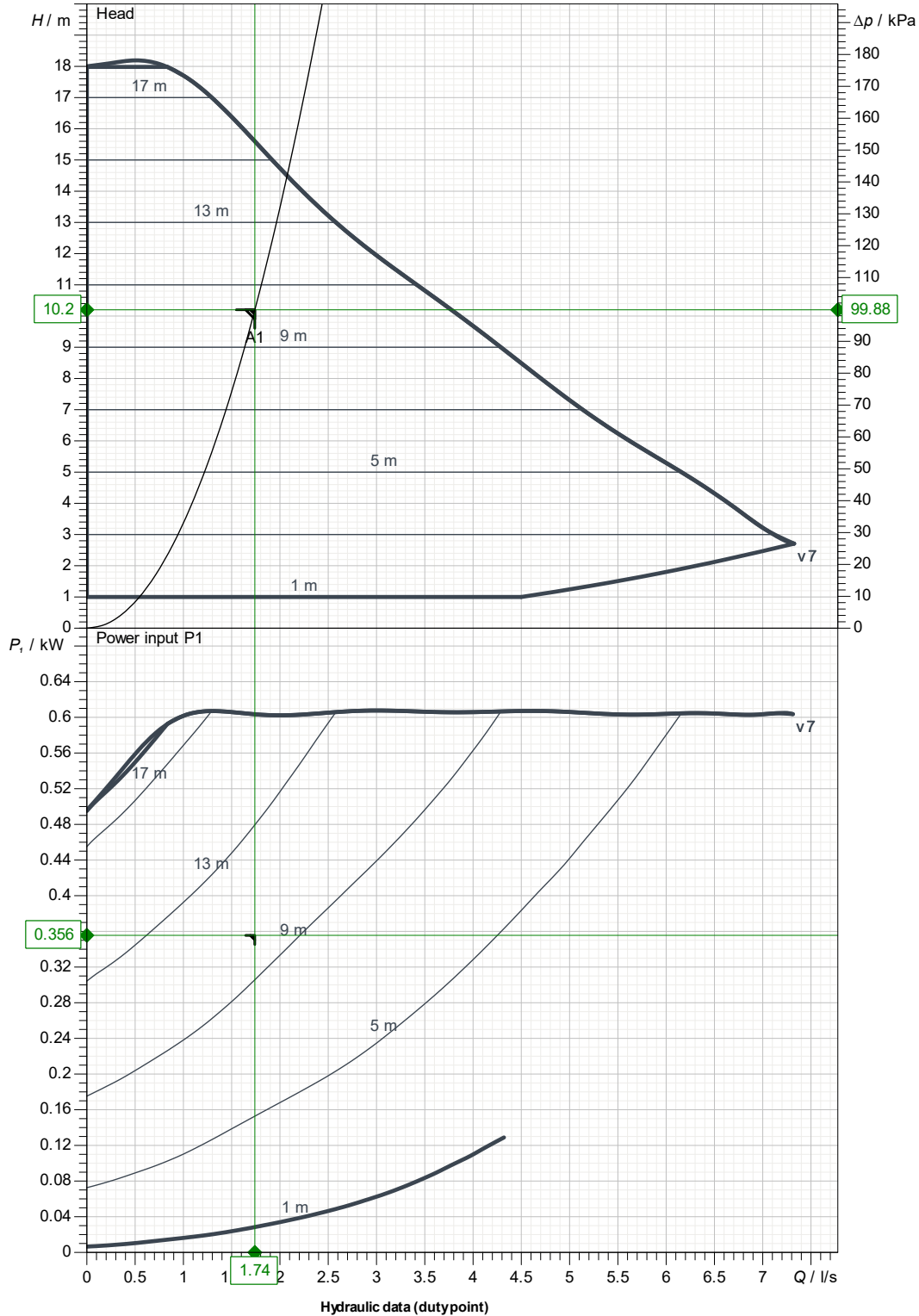
Receiver

From

Company  
Reference  
Address  
Phone  
Fax  
E-mail

## EVOPLUS B 180/250.40 M

Curve tolerance according to ISO 9906



Suction side :  
DN 40  
PN6, PN10, PN16

Discharge side :  
DN 40  
PN6, PN10, PN16

Flow :  
1.74 l/s

Head :  
10.2 m

Rated speed :  
5100 1/min

MAIN\_PROJECT\_TITLE

BUSINESS\_PROCESS\_ID

OWNER\_

ISSUE\_DATE

2025-02-13



# DIMENSIONAL DRAWING

2025-02-13

Page 3 / 3

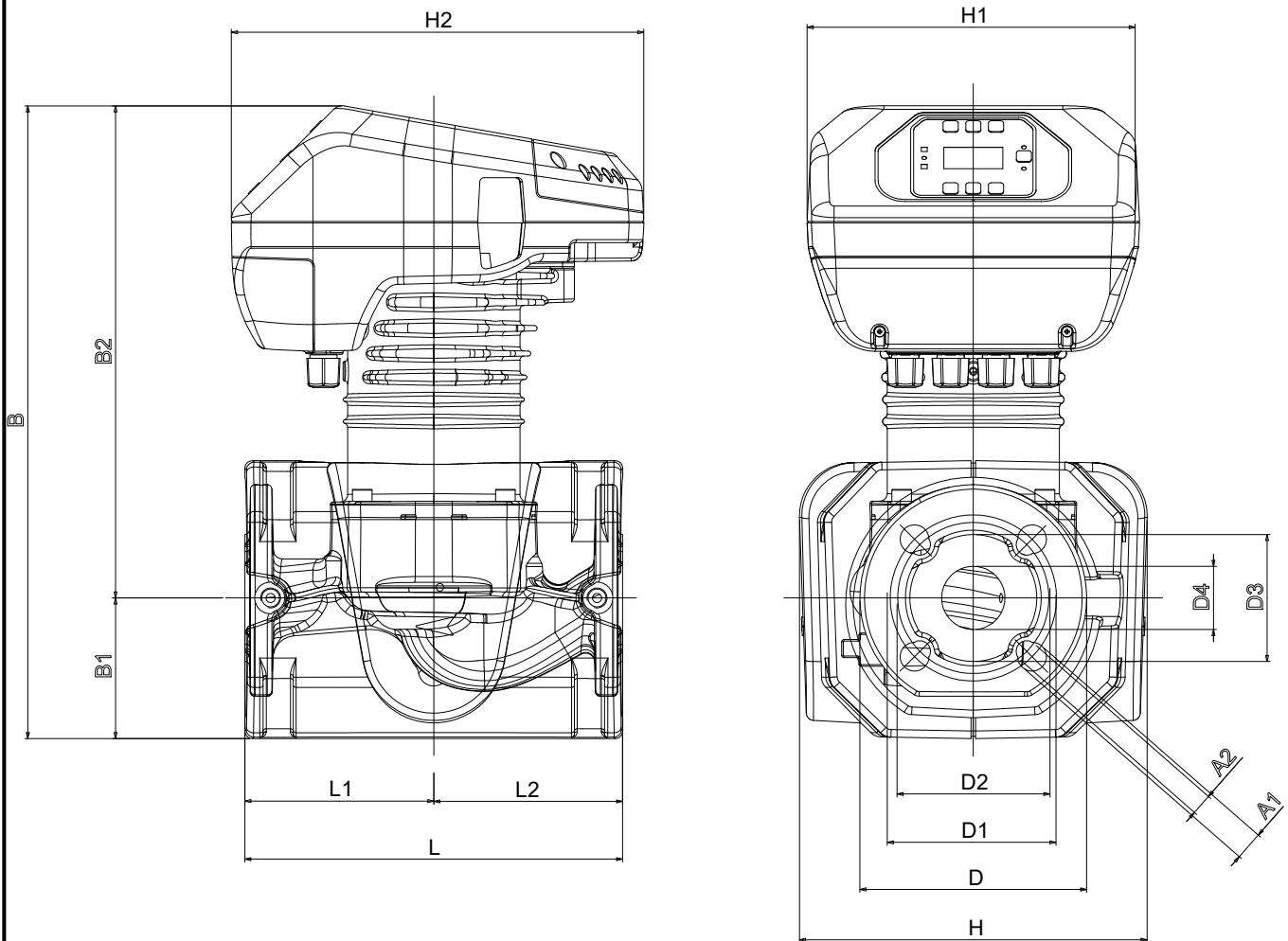
DAB PUMPS S.p.A.  
Via Marco Polo, 14 - 35035 Mestrino (PD), Italy  
Tel. +39 049 5125000 - Fax +39 049 5125950  
www.dabpumps.com

Receiver

From

Company  
Reference  
Address  
Phone  
Fax  
E-mail

## EVOPLUS B 180/250.40 M



Dimensions in mm

Pump connection

1	A1	19	H1	220	Suction DN 40 PN6, PN10, PN16  Discharge DN 40 PN6, PN10, PN16
2	A2	14	H2	273	
3	B	419	L	250	
4	B1	93	L1	125	
5	B2	326	L2	125	
6	D	150			
7	D1	110			
8	D2	100			
9	D3	84			
10	D4	42			
11	H	230			

MAIN\_PROJECT\_TITLE

BUSINESS\_PROCESS\_ID

OWNER\_

ISSUE\_DATE

2025-02-13