

Receiver

From

Company  
Reference  
Address  
Phone  
Fax  
E-mail

**Item n° :** Customer pos. no.:

60150967

**Model :**

EVOPLUS B 120/250.40 M

**Pump data**

Pressure rating : 1600 kPa  
Min. fluid temperature : -10 °C  
Max fluid temperature : 110 °C  
EEI : ≤ 0,20

**Minimum suction head :**

Temperature °C 90 100

Minimum suction head : m 20 25

**Requested data**

Flow : 1.67 l/s  
Head : 10.10 m  
Fluid (%) : Water (100%)  
Fluid Temperature : 20 °C  
Density : 998.19 kg/m³  
Kinematic viscosity : 1.0004 mm²/s  
Vapor pressure : 2.20 kPa

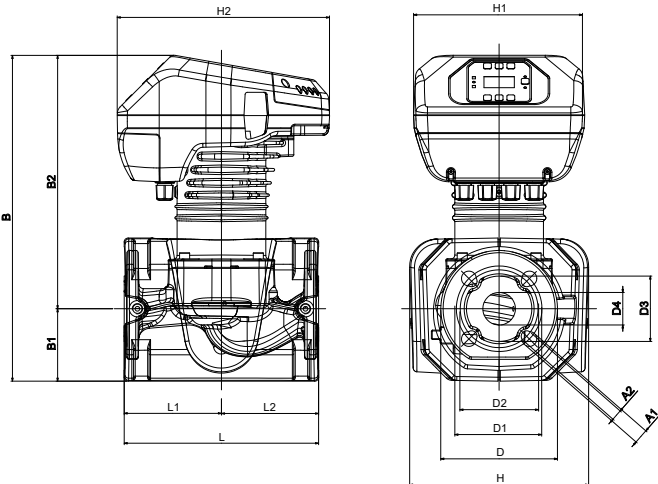
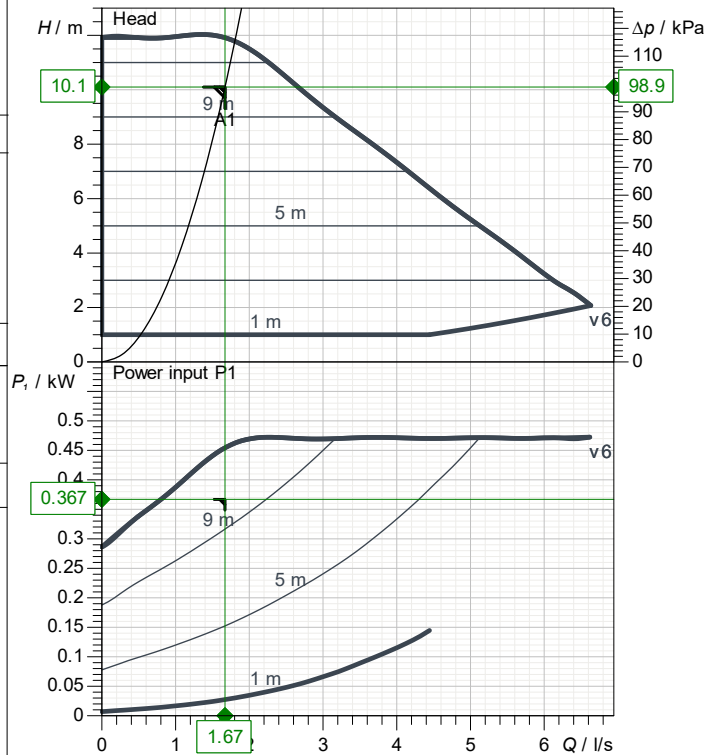
**Hydraulic data (duty point)**

Flow : 1.67 l/s  
Head : 10.10 m

**Materials**

Pump body : Cast iron 250 UNI ISO 185 - CTF  
Impeller : Technopolymer  
Motor shaft : Stainless steel  
Seal ring : EPDM  
Motor casing : Die cast aluminium  
Closing flange : Stainless steel  
Thrust ring support : Stainless steel

**Curve tolerance according to ISO 9906**



**Motor data**

Motor brand : DAB  
Max Power input P1 : 0.465 kW  
Rated voltage : 1~ 220-240 V 50 Hz  
Nominal current : 2.2 A  
Degree of protection : IP 44

**Dimensions in mm**

A1	19	D1	110	H2	273		
A2	14	D2	100	L	250		
B	419	D3	84	L1	125		
B1	93	D4	42	L2	125		
B2	326	H	230				
D	150	H1	220				

**Weight :** 20 kg

**Pump connection**

Suction side : DN 40 / PN6, PN10, PN16  
Discharge side : DN 40 / PN6, PN10, PN16



# PERFORMANCE CURVES

2025-02-13

Page 2 / 3

DAB PUMPS S.p.A.  
Via Marco Polo, 14 - 35035 Mestrino (PD), Italy  
Tel. +39 049 5125000 - Fax +39 049 5125950  
www.dabpumps.com

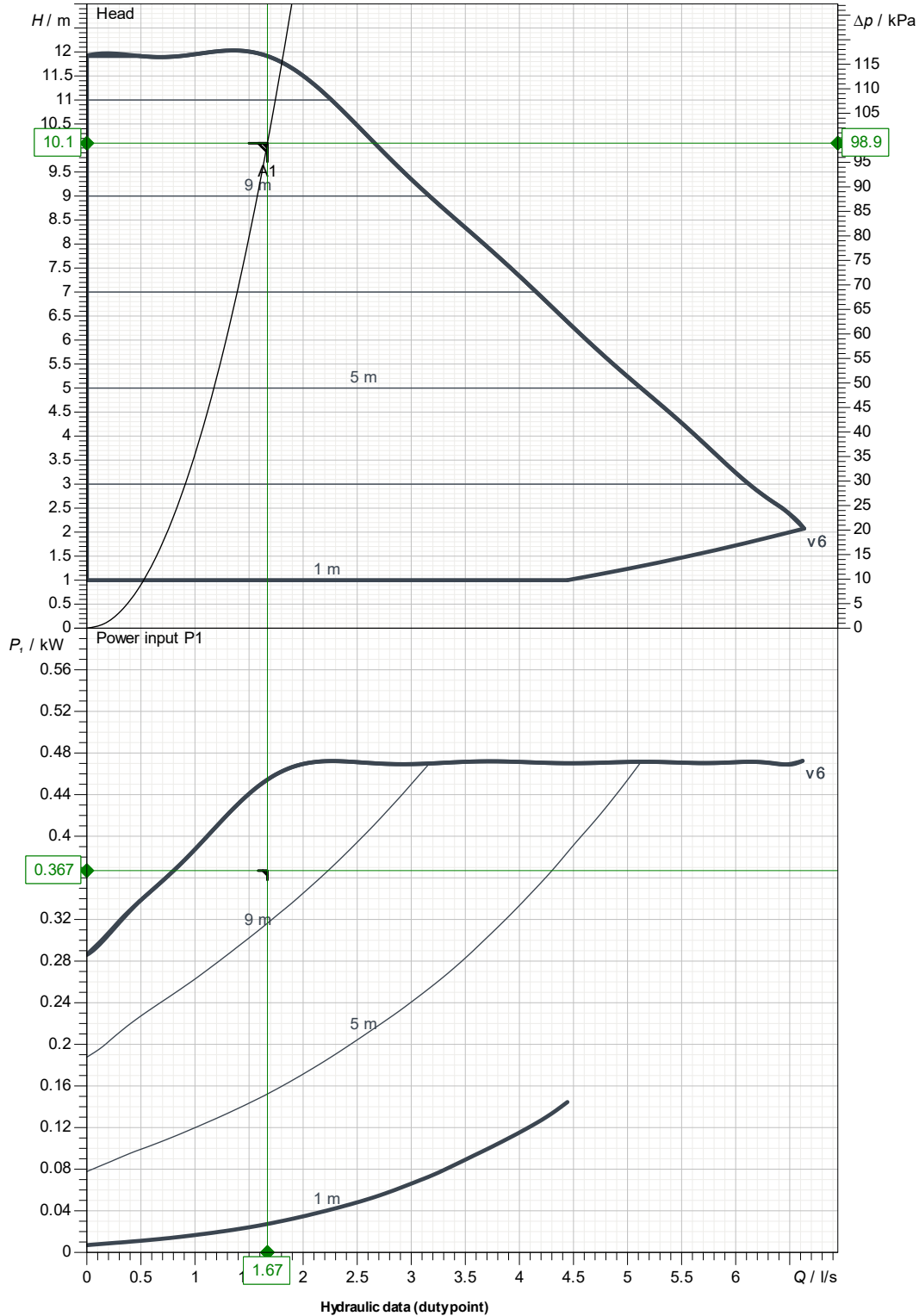
Receiver

From

Company  
Reference  
Address  
Phone  
Fax  
E-mail

## EVOPLUS B 120/250.40 M

Curve tolerance according to ISO 9906



Suction side :  
DN 40  
PN6, PN10, PN16

Discharge side :  
DN 40  
PN6, PN10, PN16

Flow :  
1.67 l/s

Head :  
10.1 m

Rated speed :  
4200 1/min

MAIN\_PROJECT\_TITLE

BUSINESS\_PROCESS\_ID

OWNER\_

ISSUE\_DATE

2025-02-13



# DIMENSIONAL DRAWING

2025-02-13

Page 3 / 3

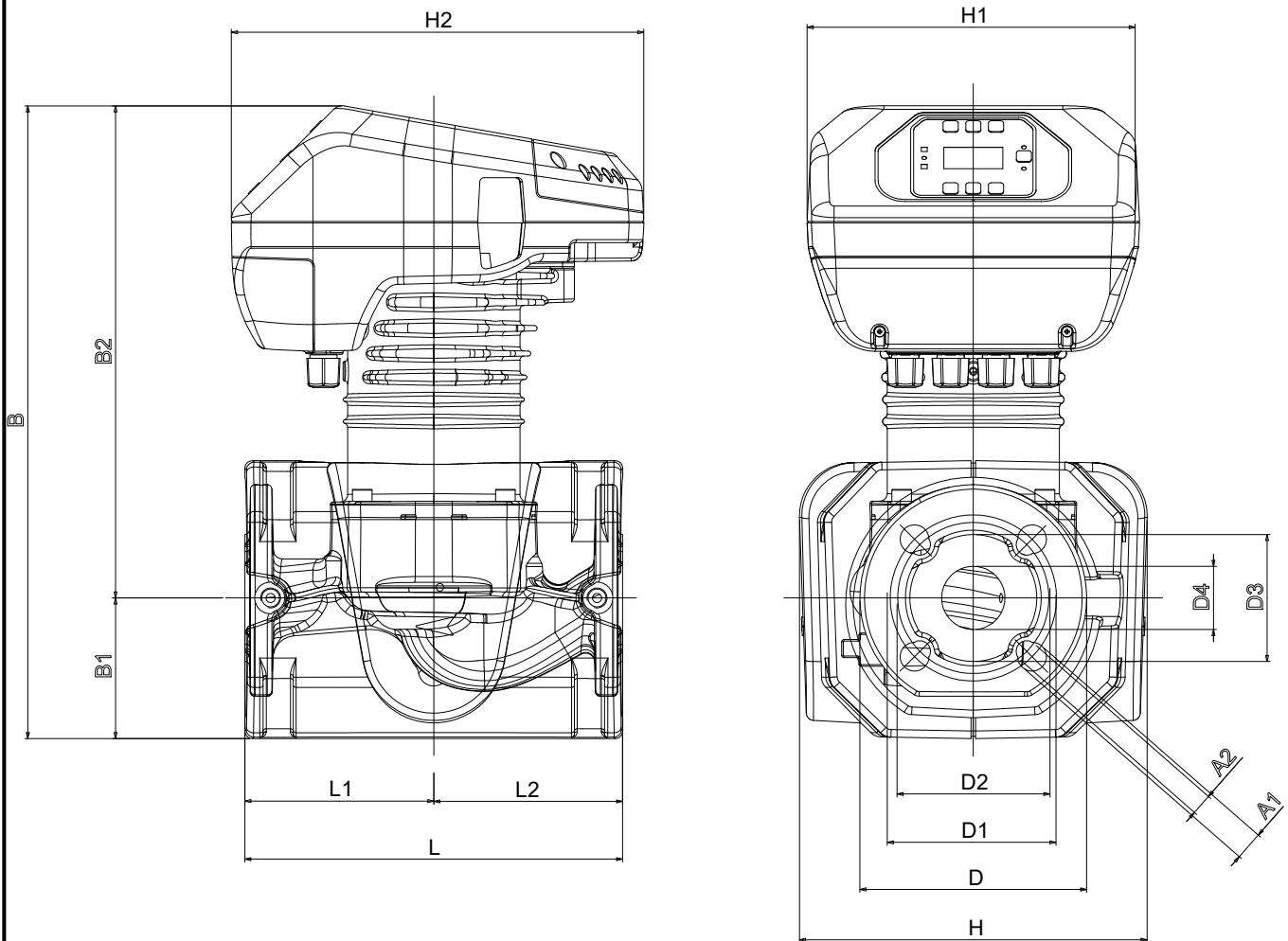
DAB PUMPS S.p.A.  
Via Marco Polo, 14 - 35035 Mestrino (PD), Italy  
Tel. +39 049 5125000 - Fax +39 049 5125950  
www.dabpumps.com

Receiver

From

Company  
Reference  
Address  
Phone  
Fax  
E-mail

## EVOPLUS B 120/250.40 M



**Dimensions in mm**

**Pump connection**

1	A1	19	H1	220	Suction DN 40 PN6, PN10, PN16  Discharge DN 40 PN6, PN10, PN16
2	A2	14	H2	273	
3	B	419	L	250	
4	B1	93	L1	125	
5	B2	326	L2	125	
6	D	150			
7	D1	110			
8	D2	100			
9	D3	84			
10	D4	42			
11	H	230			

MAIN\_PROJECT\_TITLE

BUSINESS\_PROCESS\_ID

OWNER\_

ISSUE\_DATE

2025-02-13