



PERFORMANCE CURVES

2025-02-14

Page 2 / 3

DAB PUMPS S.p.A.
Via Marco Polo, 14 - 35035 Mestrino (PD), Italy
Tel. +39 049 5125000 - Fax +39 049 5125950
www.dabpumps.com

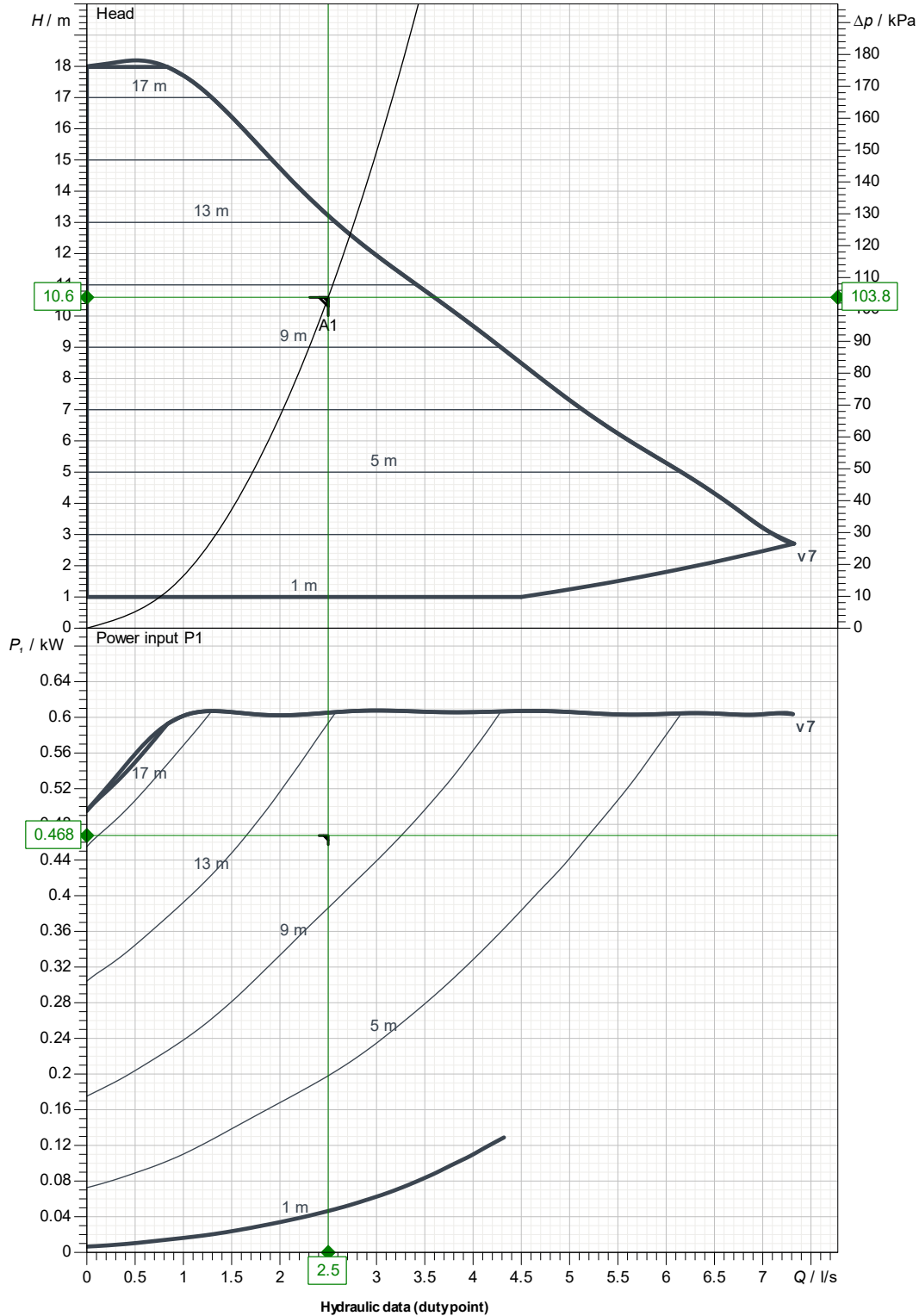
Receiver

From

Company
Reference
Address
Phone
Fax
E-mail

EVOPLUS B 180/250.40 M

Curve tolerance according to ISO 9906



Suction side :
DN 40
PN6, PN10, PN16

Discharge side :
DN 40
PN6, PN10, PN16

Flow :
2.5 l/s

Head :
10.6 m

Rated speed :
5100 1/min

MAIN_PROJECT_TITLE

BUSINESS_PROCESS_ID

OWNER_

ISSUE_DATE

2025-02-14



DIMENSIONAL DRAWING

2025-02-14

Page 3 / 3

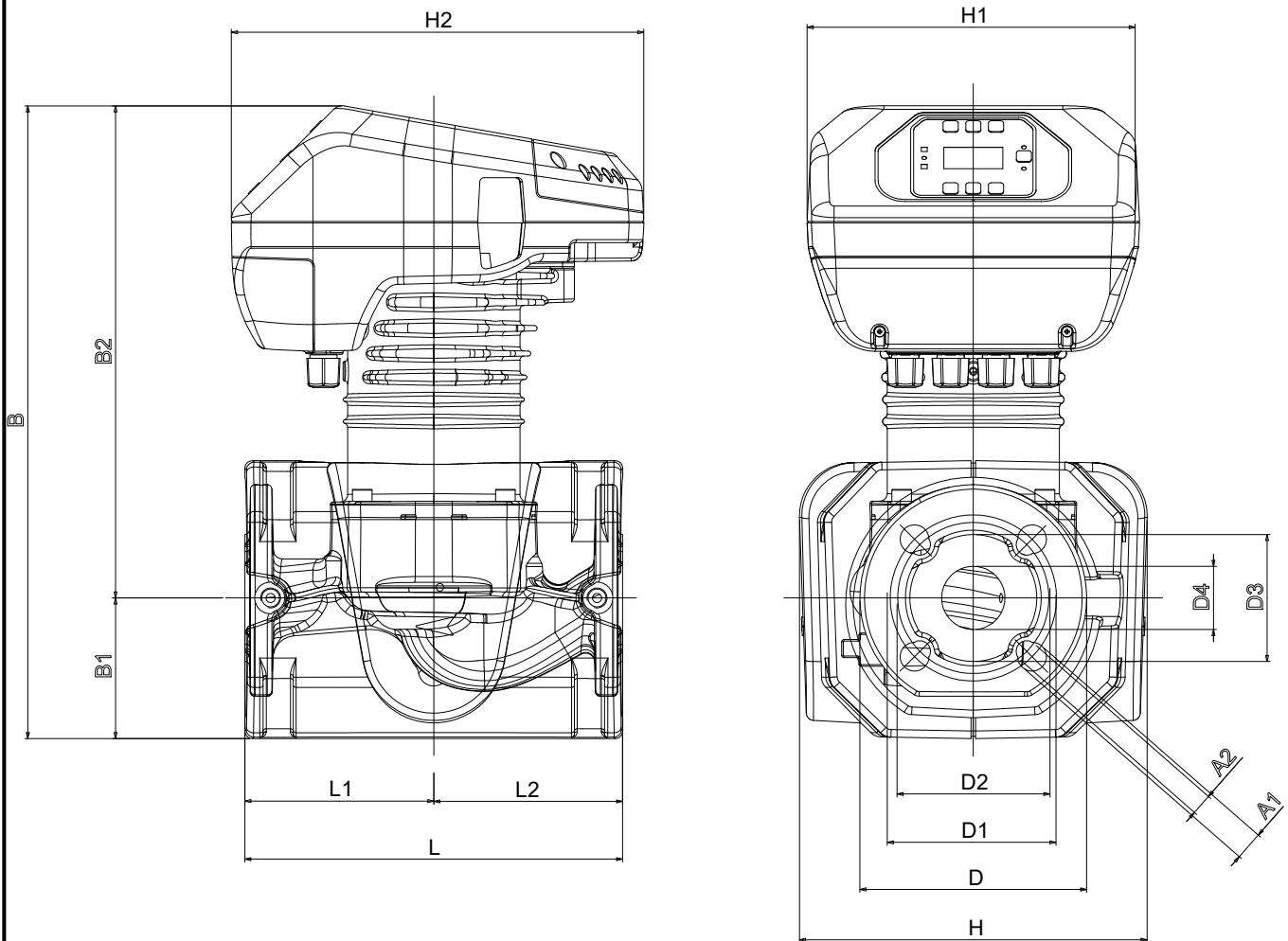
DAB PUMPS S.p.A.
Via Marco Polo, 14 - 35035 Mestrino (PD), Italy
Tel. +39 049 5125000 - Fax +39 049 5125950
www.dabpumps.com

Receiver

From

Company
Reference
Address
Phone
Fax
E-mail

EVOPLUS B 180/250.40 M



Dimensions in mm

Pump connection

1	A1	19	H1	220	Suction DN 40 PN6, PN10, PN16 Discharge DN 40 PN6, PN10, PN16
2	A2	14	H2	273	
3	B	419	L	250	
4	B1	93	L1	125	
5	B2	326	L2	125	
6	D	150			
7	D1	110			
8	D2	100			
9	D3	84			
10	D4	42			
11	H	230			

MAIN_PROJECT_TITLE	BUSINESS_PROCESS_ID	OWNER_	ISSUE_DATE 2025-02-14
--------------------	---------------------	--------	---------------------------------